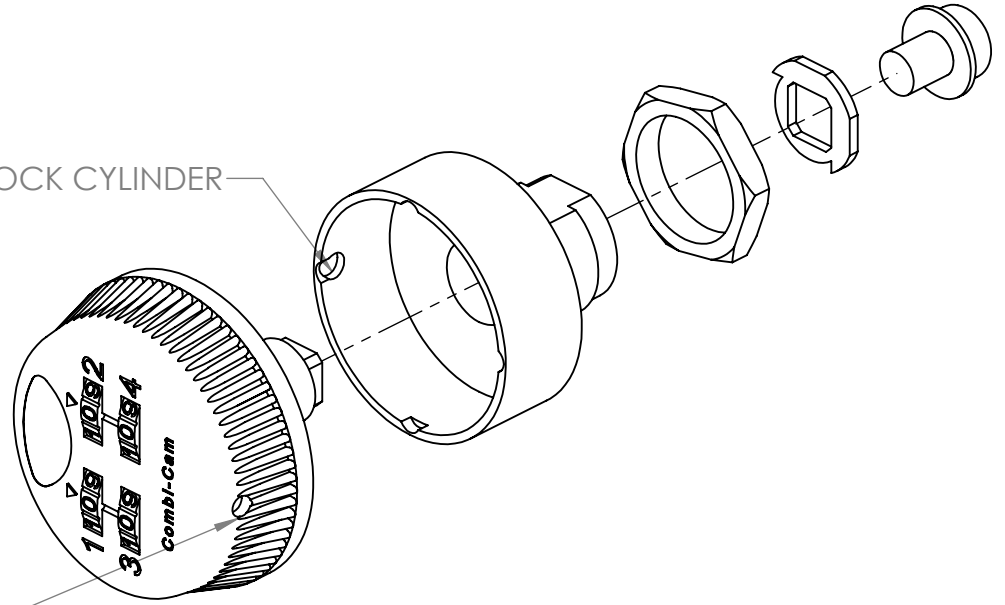


HOLE IN LOCK CYLINDER

HOLE IN LOCK FACE SHOULD BE ORIENTED OPPOSITE OF HOLE IN LOCK CYLINDER



**CAM NOT SHOWN**

PRODUCT SERIES: LOCK, COMBO, COMBI-CAM, 4-DIAL		
MODEL:	AF4C	REV:
SCALE:	1:1	DATE DRAWN: 3/19/2009
DRAWING NUMBER:	DRAWN BY:	SHEET:
<b>CS64654</b>	AFD	<b>1 OF 1</b>

**AF FLORENCE**  
manufacturing company  
5935 Corporate Drive • Manhattan, KS 66503  
www.florenceemailboxes.com • 800.275.1747  
A GIBRALTAR INDUSTRIES COMPANY