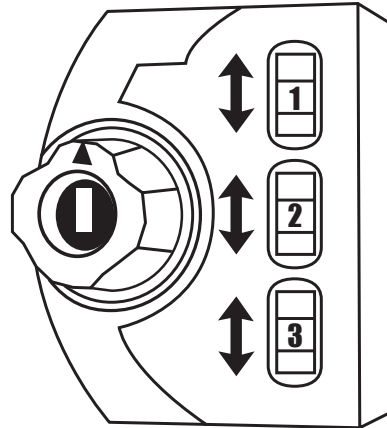


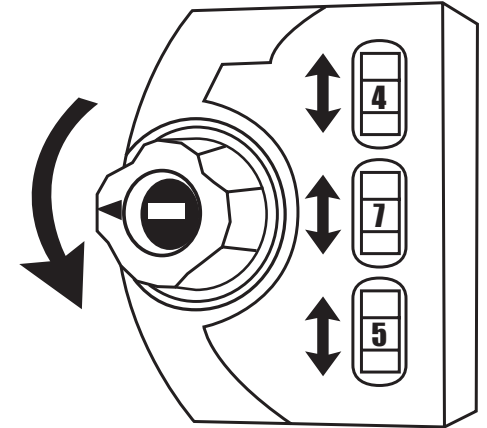
COMBO LOCK INSTRUCTIONS

To Lock:

1. Make sure knob and white arrow are pointing UP to a 12 o'clock position to UNLOCK
2. Spin number dials to set a 3 number combination

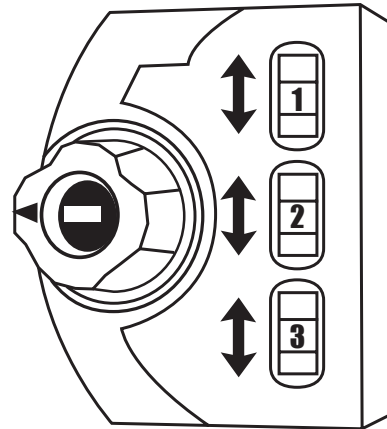


3. Turn knob LEFT to a 9 o'clock position to LOCK the door
4. Spin number dials to scramble combination

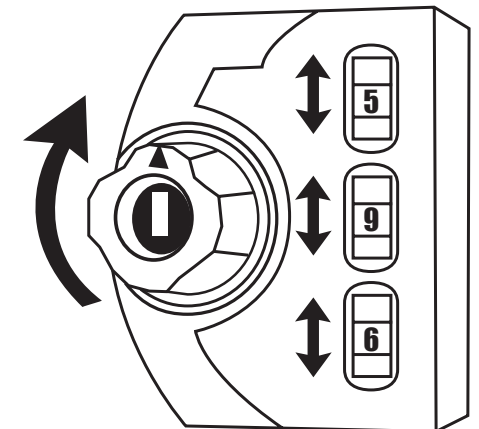


To Unlock:

1. Spin number dials to enter your combination



2. Turn knob RIGHT to UNLOCK the door
3. Leave the knob in the UNLOCK position for the next patron



PLEASE LEAVE THE DOOR UNLOCKED FOR NEXT PATRON WHEN DONE